

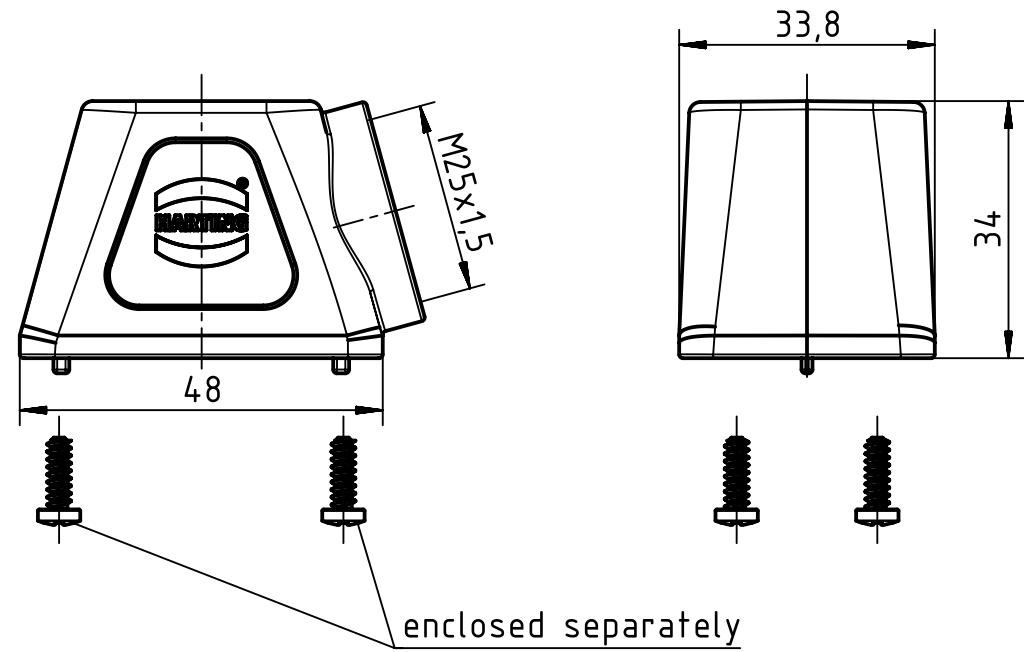
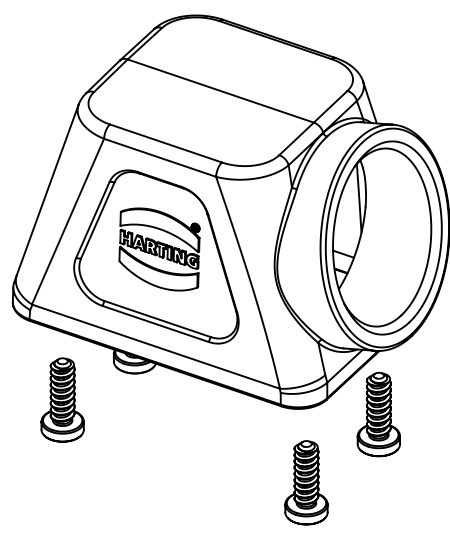
1 2 3 4 5 6

A

B

C

D



	All Dimensions in mm Original Size DIN A4		Scale 1:1	Free size tol.		Ref. Sub. TB 19 14 001 0501 v. 08.03.02		
		All rights reserved Department EL PD		Created by SPRENB	Inspected by GERB	Standardisation RUETERA	Date 2019-10-24	State Final Release
HARTING Electric GmbH & Co. KG D-32339 Espelkamp			Title Han-Modular Compact side entry M25			Doc-Key / ECM-Nr. 100090939/UGD/005/A 500000136693		
				Type TB	Number 19 14 001 0501		Rev. A	Page 1/1